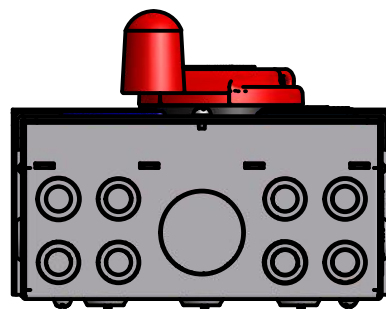
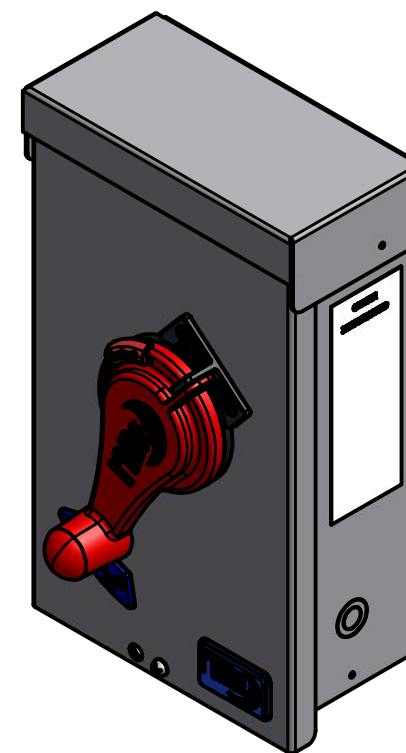
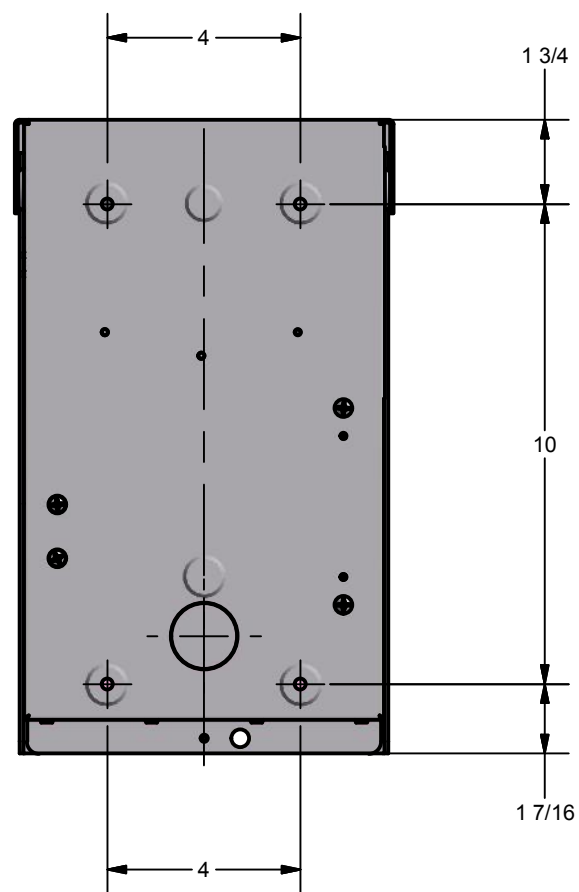
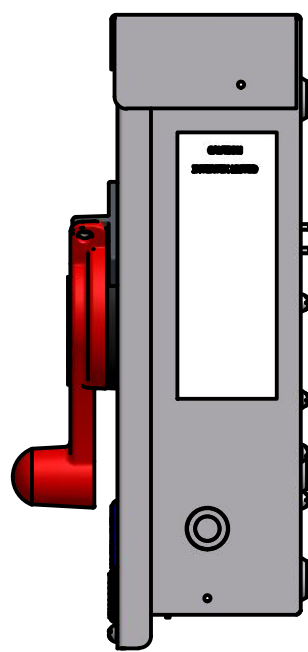
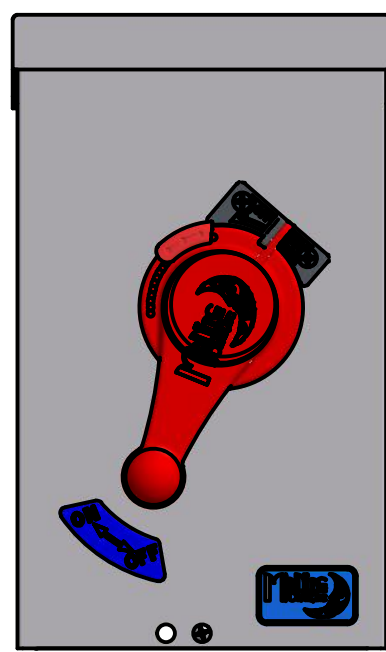
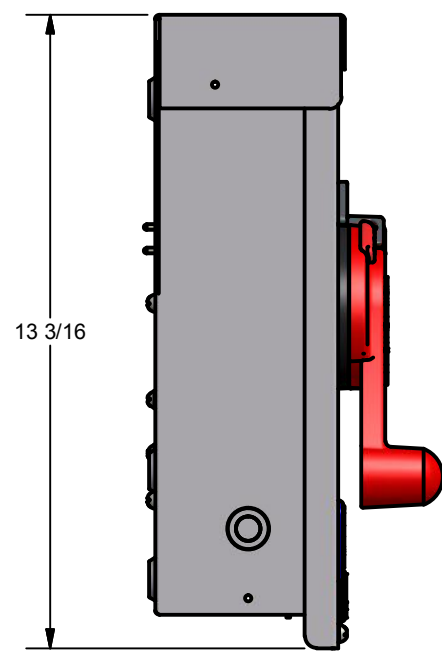
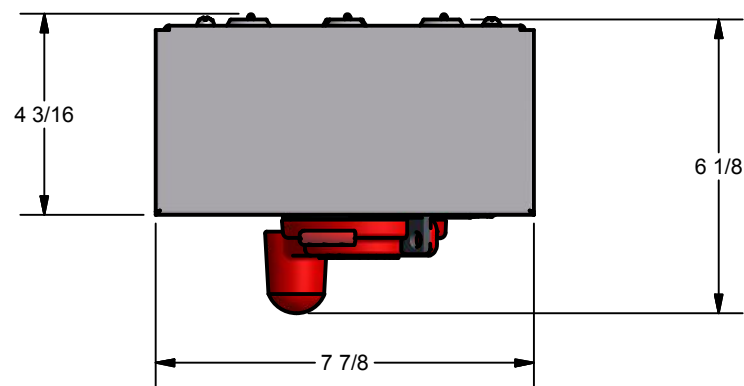


REVISION HISTORY			
REV.	DESCRIPTION OF CHANGE	DATE	SIGN



ALL TOLERANCES, UNLESS OTHERWISE STATED: x.xxx= +/-0.005" x.xx= +/-0.01" x.x= +/-0.05"		DRAWN Bob Q	6/20/2011
MATERIAL:		CHECKED	
FINISH:		QA	
PROCESS:		MFG	
STANDARDS:		APPROVED	

TITLE MNPV6 DISCO			
SIZE B	PROJECT: MNPV6 DISCO	DWG NO MNPV6	REV A
E-FILE: MNPV6 DISCO.iam			SHEET 5 OF 5